

**1 Unpack the SG3200 and place the device in a suitable location.**

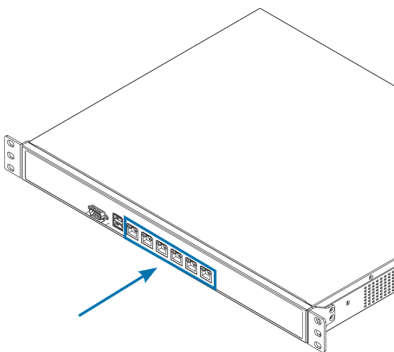
**2 Connect the management interface**

The initial configuration of the SG3200 determines which Ethernet interface is to be used for remote management by a workstation running the FineTune management software. Any interface on the SG3200 can be selected for this purpose and that interface can still be used for normal traffic.

The interface selected should be attached to the same network as the management workstation (or a network accessible from the management server via one or more routers).

Connect the selected SG3200 interface to a switch or hub in the network using a regular straight-through Ethernet cable as illustrated below.

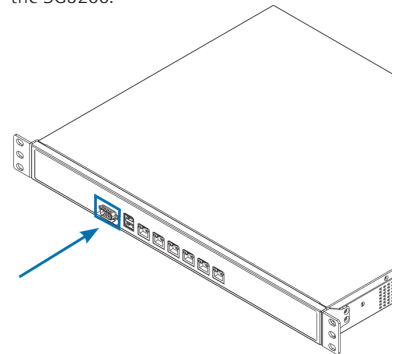
An interface can be connected directly to the management workstation using a crossover cable.



**3 Connect a Console**

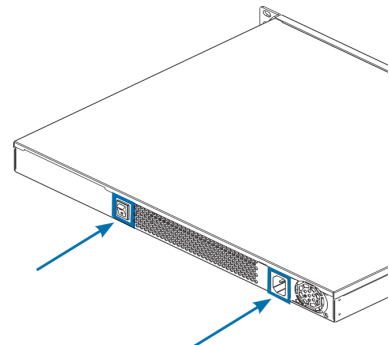
a) The SG3200 serial console port is an RS-232 port that enables connection to a console for initial configuration. The console can be a terminal or PC with a serial port. If using a PC, it should be running a terminal emulator such as HyperTerminal. The console must communicate with the SG3200 console port using settings: 9600 baud, No parity, 8 bits, 1 stop bit and No Flow Control.

b) With the RS-232 cable supplied, connect the console directly to the console port on the SG3200.



**4 Switch on SG3200 power**

Once a console is connected and running, switch on the SG3200 by connecting the power cable and pressing the power switch at the back of the unit.



## 5 Choose an Interface

The console should now show a menu for selection of the interface for the management workstation.

Choose the management interface from the menu that was connected up previously in step 2 and press the Return key.

```
#SG3200:
-----
Select Management Interface
-----
This will setup a small base configuration needed for the
system to start, and for remote management of the
Security Gateway to work. When this procedure is finished,
the remaining parts of the configuration may be completed
remotely using the Security Gateway Manager software.

Please choose your management interface
-----
g0: Gigabit Ethernet interface 10/100/1000
g0: Gigabit Ethernet interface 10/100/1000
g0: Gigabit Ethernet interface 10/100/1000
-----
ESC Return to previous menu
```

## 6 Enter IP address & Default Gateway

The console will now allow a number of options to be entered. Enter the IP address that will be used for the management interface of the SG3200 with the appropriate netmask.

If the SG3200 is not on the same network as the FineTune management workstation (and is therefore at least one router hop away) you will also need to specify the Gateway Address and the Allowed Management Network with it's netmask.

If you want to allow FineTune management access from any network, specify the Allowed Management Network as 0.0.0.0 with Netmask 0.0.0.0. However restricting access to a specific network (or IP address) is recommended and this can be done at a later time with FineTune.

Press Ctrl-S to save the settings and continue.

```
-----
Base IP configuration
-----
Management Interface:
g0: Gigabit Ethernet interface 10/100/1000

Use DHCP:      [ ]
Use PPPoE:     [ ]

IP Address:    [192.168.10 .10 ]
Netmask:      [255.255.255.0 ]
Gateway Address: [ . . . ] (Leave blank for none)
Allowed Mgmt Net: [ . . . ] (Leave blank for local network)
Netmask:      [ . . . ]

NOTE: If this interface is NOT the external interface,
the gateway address should normally be left blank.

Ctrl-W Exit Without Saving Ctrl-S Create Configuration file
```

## 7 Starting CorePlus™

a) The console will indicate that it is **Generating Base Configuration** and when this is complete it will say **Done**.

Now press "Y" to start the Clavister CorePlus operating system.

```
-----
Generating Base Configuration
-----
Writing configuration file, please wait...done.
It is recommended to start the core now.
Start the core (Y/N)?
Loading fucore.cfx █
```

b) If everything is correctly configured, CorePlus will start and you will see a console screen similar to the one below

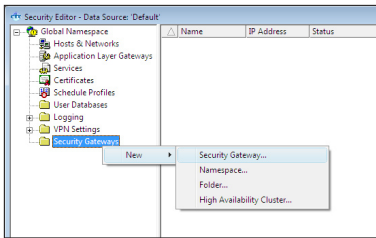
```
Interfaces:
Jan      IPAddr 192.168.1.1      HWAddr 009:00:08:2f:dc
Builtin IXPMPPE - Port 1 IRQ 0
wan      IPAddr 192.8.2.1     HWAddr 009:00:08:2f:dd
Builtin IXPMPPE - Port 2 IRQ 0
aux      IPAddr 192.8.3.1     HWAddr 009:00:08:2f:df
Builtin r8150/r129 - Realtek RTL81539 Fast Ethernet Bus 0 Slot 1 IRQ 0
dnc      IPAddr 192.8.4.1     HWAddr 009:00:08:2f:de
Builtin r8150/r129 - Realtek RTL81539 Fast Ethernet Bus 0 Slot 2 IRQ 0

Previous shutdown: 2007-02-12 14:40:18: Shutdown due to console command
System running
Cmd>
```

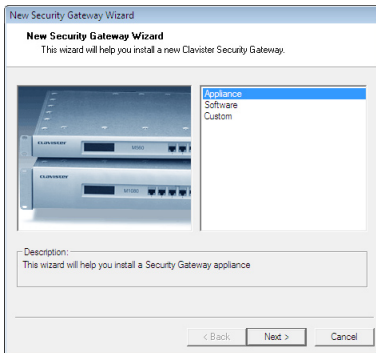
## 8 Setting up a Security Gateway with the FineTune management software

a) Install and start the FineTune management software on a suitable Windows PC. Now we are ready to start using FineTune to fully configure the Security Gateway.

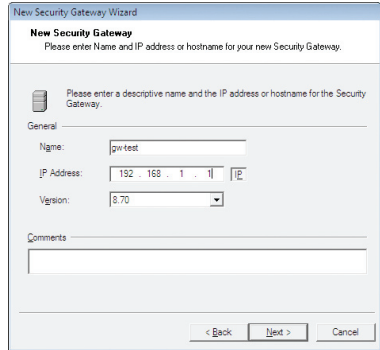
b) When the main screen of FineTune opens, open up the Default Data Source by pressing the **Security Editor** button. To create a new Gateway, right-click on the **Security Gateways** tree node and select the **New > Security Gateway** menu options.



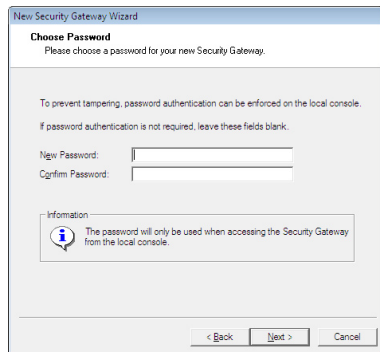
c) Now Select **Appliance** and click **Next**.



d) Select a name for the Security Gateway and enter the IP address of the internal interface of the device. This is the same address as we used earlier for the management interface setup.

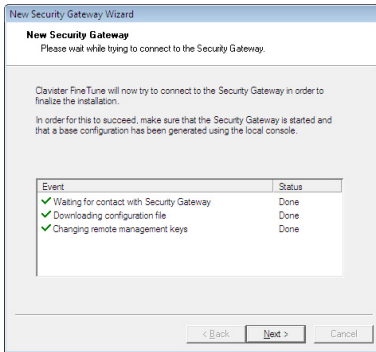


e) Enter a password *if* you want to protect access to the local Security Gateway console. Keep a record of this password.

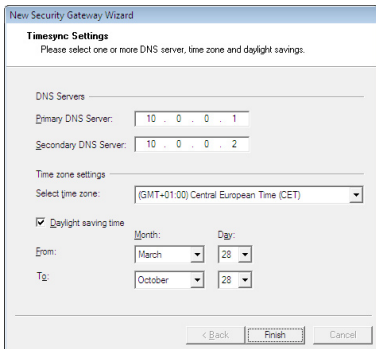


f) FineTune now contacts the Security Gateway and retrieves the base configuration as well as changing the remote management keys used for configuration communication.

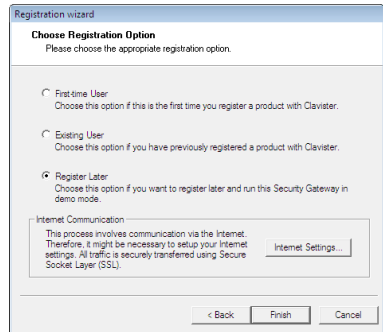
If this step fails, make sure that you can "ping" the device from the management PC and that you can "ping" the management PC from the console. If that doesn't work, check your network configuration for mismatches between the Security Gateway and the management PC.



g) Enter the IP address of your DNS server. This address should be provided by your ISP.



h) If you already have internet access through another gateway or router you can register the product online by selecting one of the two first options, **First-time User** or **Existing User**. If not, choose **Register Later**.



## 9 Create security policies

Your SG3200 Security Gateway is now ready for configuration using the FineTune management software and you should refer to the "FineTune Administration Guide" to find out how to create your first security policies for the SG3200.